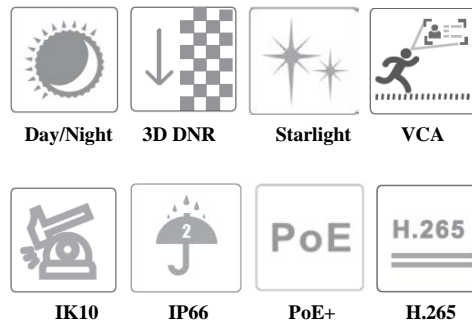


Outdoor 4*2MP Panoramic Quad-Directional Starlight IR Dome Network Camera



TD-6324E3 (D/PE/AR2/4mm)



Features

- One dome camera contains 4 modules, each to different direction, equal to 4 sets of IP-Camera.
- One IP address, One Cable(PoE+), One bracket, reduces TOC(total owner cost)
- Each module could circularly slide 0°~95° and vertically rotate 30°~70°.
- Each module delivers max 2M (1920x1080P) full HD @25/30fps video stream.
- True starlight technology provides vivid color at most scenarios.
- 360°(H)x90°(V) circular IR illumination, up to 25m in radius.
- VCA: face, human/vehicle detection, intrusion, line crossing, etc.
- Alarm driven by multi-rules: cross line, intrusion, device error, etc.
- ONVIF specifications, interoperability between network video products regardless of manufacturer.
- Full Interface: RJ45, SD Card, Alarm, Audio, Reset
- - 30°C~55°C(-22 °F ~ 131 °F), IP66 waterproof, IK10 vandal resistant, 6KV TVS lightning.
- Support PoE+(802.3.at, class4) and DC24V / AC24V

Application

Large public area safety: Subway station, Airport, Cathedral, City mall, Plaza, School, Conference center, etc.

Specifications

Camera Module	
Image sensor	1/2.8" progressive scan CMOSx 4CH
Mini. Illumination	Color : 0.005Lux @ (F1.6 , AGC ON) ; B/W : 0.001Lux @(F1.6 , AGC ON);0Lux with IR
Image setting	Saturation, Brightness, Contrast, Sharpness, AGC, and AWBadjusted by client software/browser
Shutter Speed	1/1 s – 1/100,000 s
White Balance	Auto/Manual/Indoor/Outdoor
Gain	Auto/Manual
Day & Night	IR Cut filter
Privacy Mask	4CH x 1 Programmable privacy masks
Image Enhancement	DWDR, 3D DNR, Digital zoom, Logo picture Overlay
Angle Adjust	Circular slide 0°~95° , vertically rotate 40°~70°,4CH
Lens	
EFL/F/no	4.0mm lens x 4CH, F1.6
FOV	(Horizontalx Vertical) FOV:90°x50°
Working distance	0.2m ~ INF
IR	
IR Range	25m (in radius), cover about 2000 square meters, 360°(H) x90°(V)
Smart IR	Yes
Network	
Max Resolution	3840x2160(1~30fps)
Stream 0	Panoramic view: 3840x2160,2560x1440,1920x1080(1~30fps)
Stream 1	CH1:1920x1080,1280x720,720x480(1~30fps)
Stream 2	CH2:1920x1080,1280x720,720x480 (1~30fps)
Stream 3	CH3:1920x1080,1280x720,720x480 (1~30fps)
Stream 4	CH4:1920x1080,1280x720,720x480 (1~30fps)
Video compression	H.265+/H.265/H.264+/H.264/MJPEG
Audio compression	G.711 A/U
Protocols	HTTP, HTTPS, IPv4/IPv6, 802.1x, QoS, FTP, SMTP, UPnP, SNMP,DNS, DDNS, NTP, RTSP, RTCP, RTP, TCP/IP, UDP, IGMP, ICMP,DHCP, PPPoE
Simultaneous live view	Up to 6 channels
User / Host	Up to 16 users, 3 levels: Administrator, Advanced User and Normal User
Security Measures	User authentication (ID and PW), Host authentication (MAC address); HTTPS encryption, IEEE802.1x port-based network access control; IP address filtering
Smart Features	
Basic event	Motion detection, video tampering alarm, exception (network disconnected, IP address conflict, SD full, SD error)

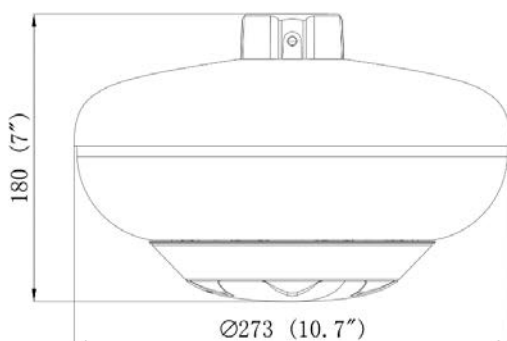
Smart Detection	Up to 4 regions configurable: Human/vehicle detection and classification, Face comparison, Intrusion detection, Line crossing detection, Region entrance detection, Region exiting detection, Unattended baggage detection, Object removal detection, Scene change detection.
ROI	Up to 4 regions configurable
Alarm Linkage	Upload to FTP/Memory card, notify surveillance center, send email, trigger alarm output, trigger recording, trigger capture
System Integration	
Alarm Interface	1CH alarm input; 1CH alarm output
Audio Interface	1CH audio input, 2 to 2.4v[p-p] 1kΩ±10%; 1CH audio output (line out), impedance: 600Ω
Network Interface	1 RJ45 10M/100M Adaptive Ethernet (Support PoE+(802.3.at,class 4))
Storage	Built-in memory card slot, support microSD/SDHC/SDXC, up to 256G
API	ONVIF, support TVT SDK and third-party management platform
Client	TVT NVR N9000 1.4.5, TVT NVMS 2.0
Web Browser	IE8-11
General	
Power	AC24V,DC24V,PoE+ (802.3.at, class 4), (Max 25W, include IR on)
Working condition	-30°C ~ 55°C (-22 °F ~ 131 °F),90%RH less (non-condensing),Cold start at - 20°C
Storage condition	-40°C ~ 70°C ;≤ 95% RH
Protection	IP 66, IK10, 6000V Lightning Protection, Surge Protection and Voltage Transient Protection
Material	Aluminum Alloy; Plastic
Dimensions	Φ 273mm x H 180mm(Φ 10.7" x 7")
Weight	Net weight Approx. 3.26 Kg(7.18 l.b.)
Certification	IK10, IP66,ROHS, CE, FC

Dimension

Camera	TD-6324E3(D/PE/AR2/4mm)	Outdoor 4*2MP Quad-Directional Starlight IR Dome Network Camera, PoE+/DC24V/AC24V,IP66/IK10,includes pendant mount bracket, not include power supply
--------	-------------------------	------------------------------------------------------------------------------------------------------------------------------------------------------

Dimension

Unit: mm (inch)



Accessories

Includes:



TD-YZJ0807
Pendant Mount

Optional:



MKAC-76-243000M
AC24V/3A Power Adapter



FJ-SW20172402500
DC24V/2.5A Power Adapter



LAS30-57CN-RJ45
30W Single Port PoE+ Injector



ONV-POE34064PFM
65W 4 Port PoE+ Switch

IR-LED illumination enabled:



TD-YZJ0314
Wall mount bracket (1m)



TD-YZJ0315
Pole mount bracket (1m)



TD-YZJ0316
Corner mount bracket (1m)

IR-LED illumination Disabled:



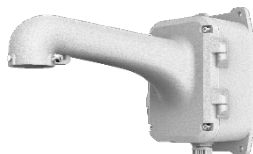
TD-YZ0308
Wall mount bracket (35cm)



TD-YZ0309
Pole mount bracket (40cm)



TD-YZ0310
Corner mount bracket (50cm)



TD-YZJ0310
Wall mount bracket (40cm)
with junction box



TD-YZJ0311
Pole mount bracket (45cm)
with junction box



TD-YZJ0312
Corner mount bracket (55cm)
with junction box

*Common PTZ brackets are not recommended for this product.

Please contact your local sales for more information about production details.

Shenzhen TVT Digital Technology Co., LTD.

Address: 23rd Floor, Block B4, Building NO.9, Shenzhen Bay Eco-Technology Park, Nanshan District, Shenzhen, Guangdong Province, P.R. China

Tel: +86-755-36995888

Website: <http://en.tvt.net.cn>

Fax: +86-755-33104777

E-mail: overseas@tvt.net.cn