

# DH-PFB5203C

## In-ceiling Mount Bracket



- The screws are embedded in the frame and the camera neatly installs into its bracket without hindering its visual range.
- Easy to disassemble and maintain.
- Easy to install and aesthetically pleasing.
- The bracket is stable, as it firmly secures the camera in position on the ceiling.



### System Overview

Dahua Mounting Bracket works with front-end services, supporting installation methods such as wall mount, pole mount, corner mount and in-ceiling mount. Select brackets are designed to suit complex scenes, making them convenient to use in environments with high temperatures, humidity, frequent vibrations, and in locations that are highly corrosive. These highly reliable brackets are easy to install and use.

### Scene

Ideal for mounting cameras, and works in temperatures ranging from  $-40\text{ }^{\circ}\text{C}$  to  $+60\text{ }^{\circ}\text{C}$  ( $-40\text{ }^{\circ}\text{F}$  to  $+140\text{ }^{\circ}\text{F}$ ) and in environments with a relative humidity of less than 90%.

### Technical Specification

#### Structure

Casing Material	SPCC; PC
Product Dimensions	$\Phi 172.7\text{ mm} \times 73.2\text{ mm}$ ( $\Phi 6.80" \times 2.88"$ )
Appearance Color	White
Net Weight	0.31 kg (0.68 lb)
Gross Weight	0.46 kg (1.01 lb)
Load Bearing	1.0 kg (2.20 lb)
Installation	In-ceiling mount
Applicable Model	Please see "Camera Accessories Selection"
Packaging Dimensions	$212.0\text{ mm} \times 212.0\text{ mm} \times 106.0\text{ mm}$ ( $8.35" \times 8.35" \times 4.17"$ ) (L x W x H)

#### Environment

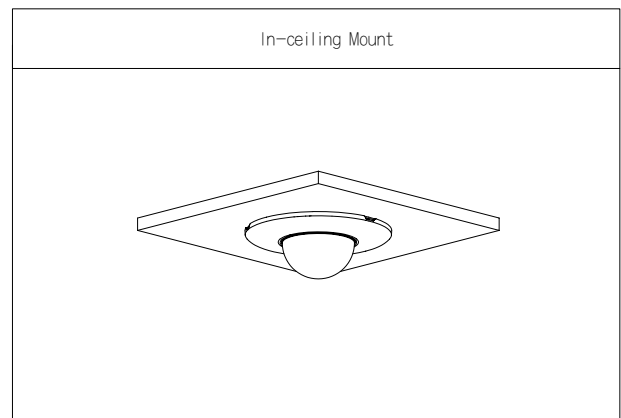
Operating Temperature	$-40\text{ }^{\circ}\text{C}$ to $+60\text{ }^{\circ}\text{C}$ ( $-40\text{ }^{\circ}\text{F}$ to $+140\text{ }^{\circ}\text{F}$ )
Operating Humidity	<90% (RH)

Storage Temperature	$-40\text{ }^{\circ}\text{C}$ to $+60\text{ }^{\circ}\text{C}$ ( $-40\text{ }^{\circ}\text{F}$ to $+140\text{ }^{\circ}\text{F}$ )
Storage Humidity	10%–90% (RH)
Anti-corrosion Level	Basic Protection

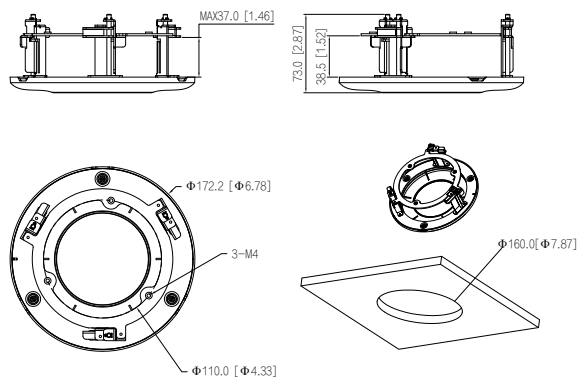
### Ordering Information

Type	Model	Description
Camera Mount	DH-PFB5203C	In-ceiling Mount Bracket
	PFB5203C	In-ceiling Mount Bracket

### Installation



## Dimensions (mm[inch])



## Package Information

- In-ceiling mount bracket × 1
- M4×14 screw × 3
- S3.0 wrench × 1
- Installation Guide × 1