

IP200 Dome camera mounts

www.boschsecurity.com



BOSCH
Invented for life



- ▶ Sturdy construction
- ▶ Easy installation
- ▶ Anti-rust treated

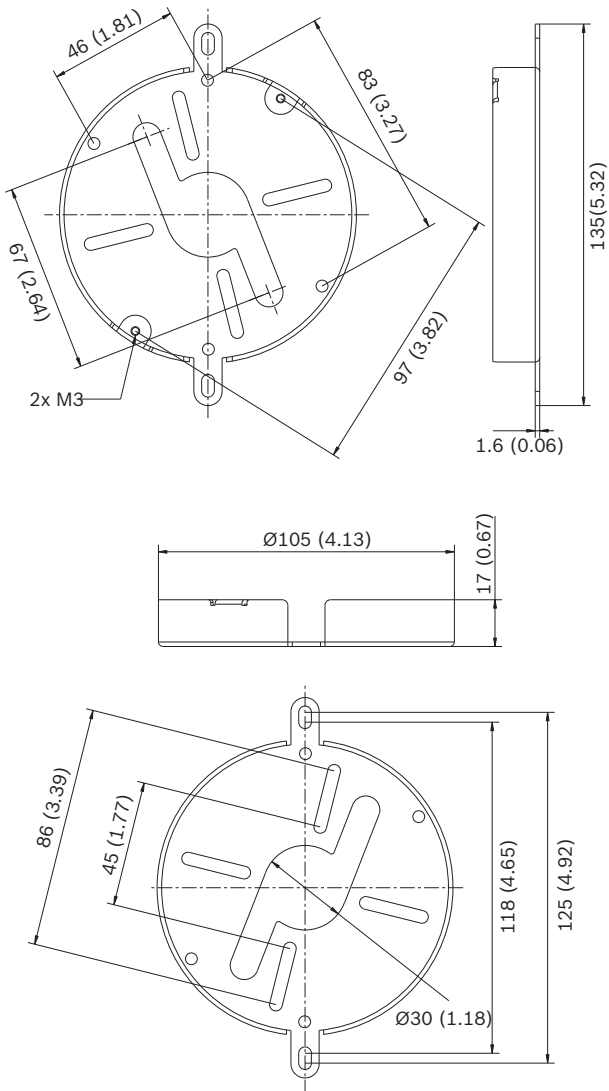
This family of mounts and brackets is specifically designed for the IP200 Series of dome cameras. It includes adapter brackets, a wall mount bracket, and a flush mount bracket. All of these brackets are easy to install and have a sturdy construction.

System overview

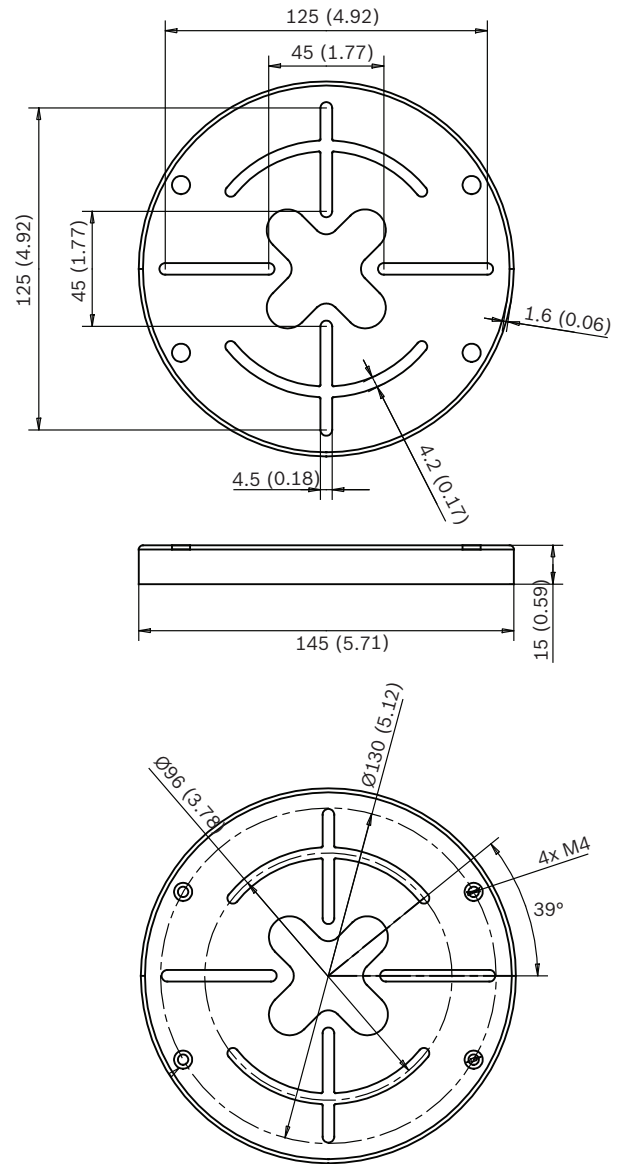
Type number	Camera
NDA-MBR-DOME	NDC-274-P
NDA-MBRO-DOME	NDN-265-PIO
NDA-ADTI-DOME	NDC-255-P NDC-225-P NDC-265-P NDC-225-PI
VDA-FMT-IP200DOME	NDC-255-P NDC-225-P NDC-265-P NDC-225-PI
NDA-WMT-DOME	NDC-274-P NDC-255-P NDC-225-P NDC-265-P NDC-225-PI NDN-265-PIO

Installation/configuration notes

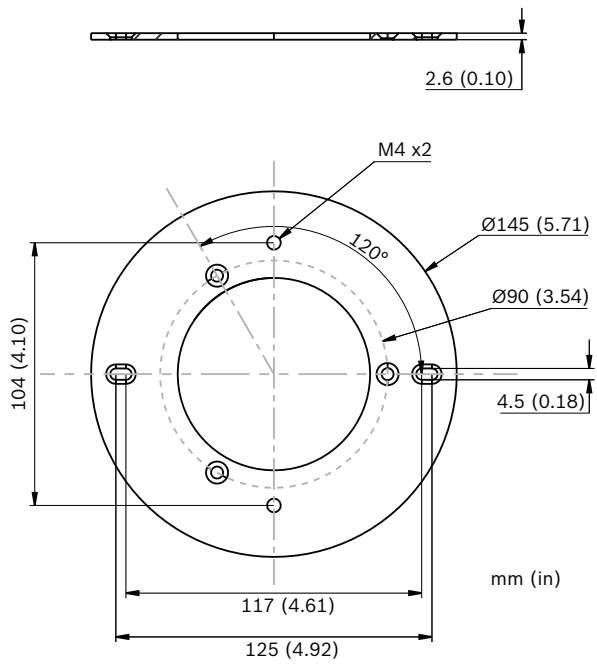
NDA-MBR-DOME - MicroDome adapter bracket dimensions



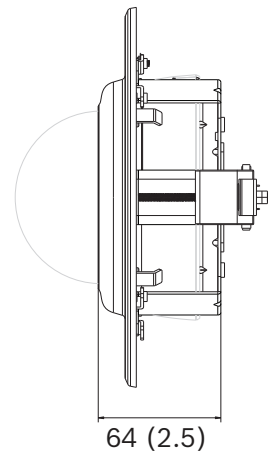
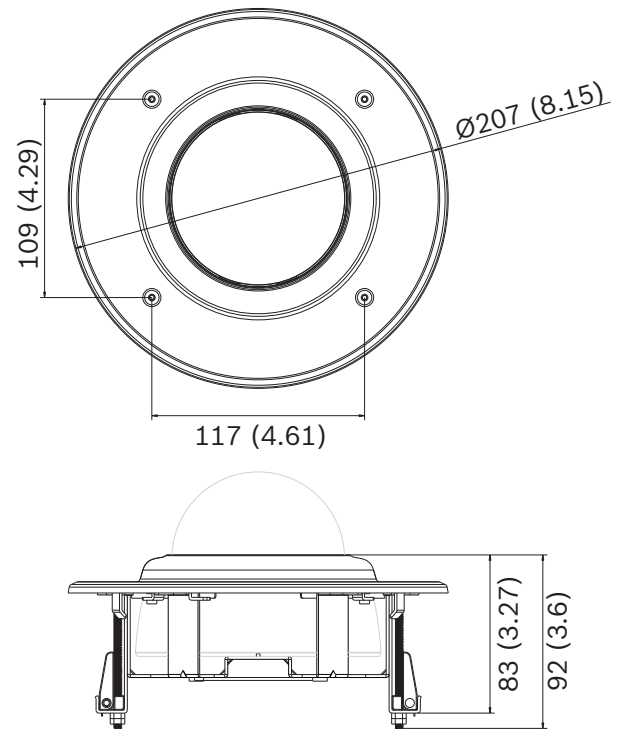
NDA-MBRO-DOME - Dome adapter bracket dimensions



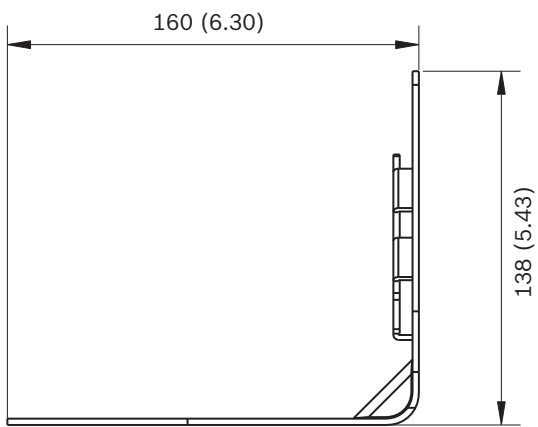
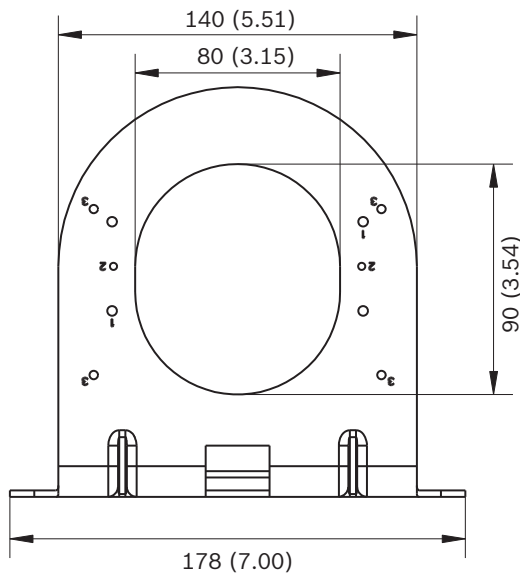
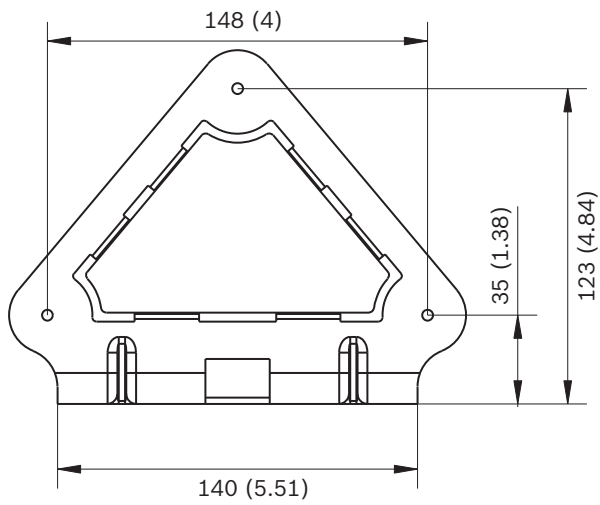
NDA-ADTI-DOME - Dome adapter bracket dimensions



VDA-FMT-IP200DOME - Dome flush mount dimensions



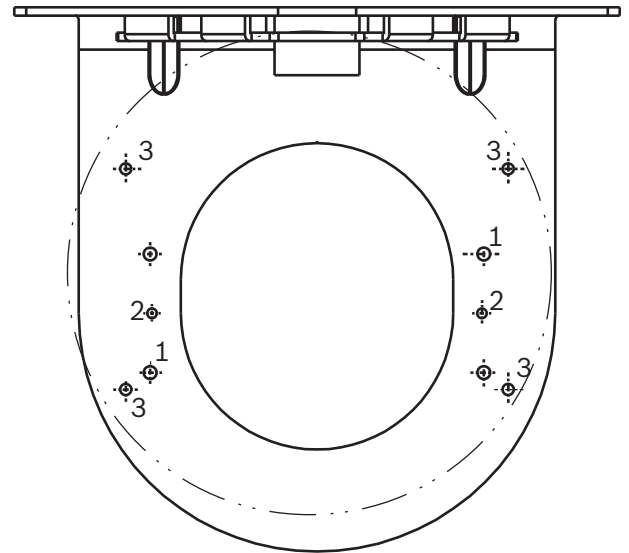
NDA-WMT-DOME - Wall mount dimensions



mm (in)

Dome wall mount hole assignment

Refer to the following diagram and table to see which holes should be used for the various cameras.



Hole number	Camera	Screws
1	NDC-255-P, NDC-225-P, NDC-265-P, NDC-225-PI	M4
2	NDC-274-P	M3
3	NDN-265-PIO	M4

Technical specifications

MicroDome adapter bracket

Construction material	SECC
Finish	RAL 9003 signal white
Weight	0.12 kg (0.26 lb)

NDA-MBRO-DOME adapter bracket

Construction material	SECC
Finish	RAL 9003 signal white
Weight	0.22 kg (0.48 lb)

NDA-ADTI-DOME adapter bracket

Construction material	SECC
Finish	RAL 9003 signal white
Weight	0.1 kg (0.22 lb)

Dome flush mount bracket

Construction material	Metal: SECC Plastic: PC+ABS
Finish	RAL 9003 signal white
Weight	0.73 kg (1.61 lb)

Dome wall mount bracket

Construction material	SPCC
Finish	RAL 9003 signal white
Weight	0.51 kg (1.12 lb)

Ordering information

IP200 MicroDome camera adapter bracket

IP200 MicroDome camera adapter bracket
Order number **NDA-MBR-DOME**

IP200 MiniDome camera adapter bracket

IP200 MiniDome camera adapter bracket for 4S box
Order number **NDA-MBRO-DOME**

IP200 MiniDome camera adapter bracket

IP200 MiniDome camera adapter bracket
Order number **NDA-ADTI-DOME**

IP200 MiniDome flush mount bracket

Flush mount ceiling kit for IP200 MiniDome camera
Order number **VDA-FMT-IP200DOME**

IP200 MiniDome/MicroDome cameras wall mount

IP200 MiniDome/MicroDome cameras wall mount
Order number **NDA-WMT-DOME**

Represented by:

Americas:

Bosch Security Systems, Inc.
130 Perinton Parkway
Fairport, New York, 14450, USA
Phone: +1 800 289 0096
Fax: +1 585 223 9180
security.sales@us.bosch.com
www.boschsecurity.us

Europe, Middle East, Africa:

Bosch Security Systems B.V.
P.O. Box 80002
5617 BA Eindhoven, The Netherlands
Phone: + 31 40 2577 284
Fax: +31 40 2577 330
emea.securitysystems@bosch.com
www.boschsecurity.com

Asia-Pacific:

Robert Bosch (SEA) Pte Ltd, Security Systems
11 Bishan Street 21
Singapore 573943
Phone: +65 6571 2808
Fax: +65 6571 2699
apr.securitysystems@bosch.com
www.boschsecurity.asia

China:

Bosch (Shanghai) Security Systems Ltd.
201 Building, No. 333 Fuquan Road
North IBP
Changning District, Shanghai
200335 China
Phone +86 21 22181111
Fax: +86 21 22182398
www.boschsecurity.com.cn

America Latina:

Robert Bosch Ltda Security Systems Division
Via Anhanguera, Km 98
CEP 13065-900
Campinas, Sao Paulo, Brazil
Phone: +55 19 2103 2860
Fax: +55 19 2103 2862
latam.boschsecurity@bosch.com
www.boschsecurity.com