

IPUTP100



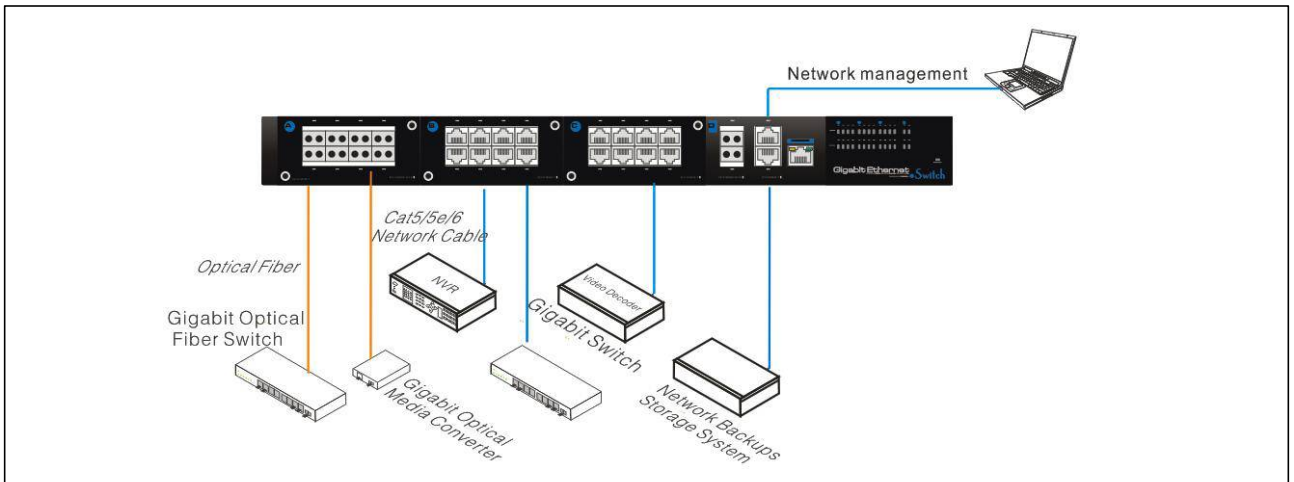
- Provide 24+4 full Gigabit Ethernet or optical fiber ports
- It provides web-based layer 2 network management and PoE management, simple operation.
- Support high-speed data forwarding, very suitable for large flow of video data forwarding in security surveillance.
- Support recovery of IP address & user password with one key recovery button.
- Provides two power supply redundancy backup to improve the system reliability.
- Quick Installation, simple operation, convenient for wall/desk/rack installation.



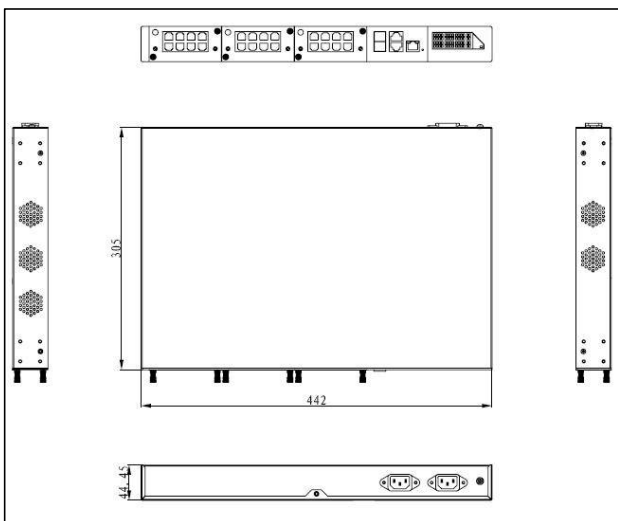
Introduction

IPUTP100 is 24+4 Ports full Gigabit layer 2 managed modular Ethernet switch. 1-24 downlink ports support Ethernet or optical fiber ports optional (8 ports Gigabit Ethernet & 8 ports Gigabit SFP modules). It is widely used in security surveillance, network engineering projects and so on.

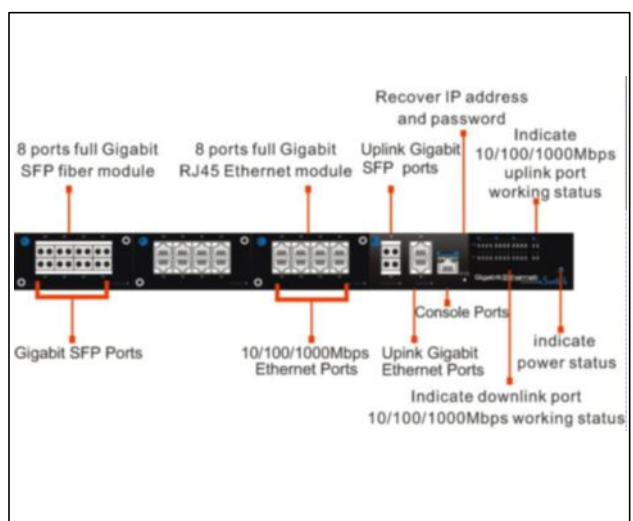
Application



Physical Features



Interface drawing



Specification

Hardware Features :

型号	IPUTP100
Downstream Ports	24 full Gigabit Ethernet or optical fiber ports
Uplink Ports	2*1000Mbps SFP Port and 2*10/100/1000Base-T
Network Standard	IEEE802.3、IEEE802.3u、IEEE802.3ab、IEEE802.3Z、IEEE802.3X、IEEE 802.1Q IEEE 802.1p IEEE 802.3ad、IEEE 802.1D、IEEE 802.1X
Switch Capacity	56Gbps
Throughput	42Mpps
Switch Processing Scheme	Store and Forward
Memory Buffer	12M
MAC Table	16K
Lightning protection	6KV Execute : IEC61000-4-5
ESD	6KV Contact discharge 8KV Air discharge Execute : IEC61000-4-2
Power Supply	100~240V AC; 50/60Hz
Power Dissipation	<60W
Work temperature	-10°C-50°C
Storage temperature	-40°C-85°C
Humidity(Non-condensin)	5%-95%
Dimension (L×W×H)	442mm×305mm×44.5mm
Weight	4.35kg
Regulator	CE、FCC、ROHS

Software Features :

Port Management	Support port enabling and disabling
	Support port speed settings
	Support port full-duplex mode
	Support IEEE802.3x flow control
	Support port name modification
VLAN	Support of 4K VLAN
	supports 802.1Q VLAN protocol
	Support VLAN based on port
QoS	Support QoS Congestion Management
	Support 8 priority queues
	Queue scheduling: SP, WRR, SP+WRR
	Support 802.1p CoS/DSCP priority

Multicast Management	Support SNMPV1 / V2 / V3 protocols
	Support IGMP Snooping
Security Features	Supports IP, MAC, port, VLAN binding combinations
	Support MAC address auto-learning, aging and filtration
	Support port isolation, port speed limit
	Support RSTP
	Support 5 groups of link aggregation
	Support 802.1X
System Management	Web-based GUI and CLI management
	Support FTP / TFTP / HTTP load upgrade
	Support traffic statistics
	Support MAC address table query
	Support IP address, DNS server modifications
	Support user name and password modification
	Support for history, log management
	Support System Configuration Backup
	Support to recover the default factory settings on reboot