

35 SERIES

HC35WE3R2

HC35WE5R2

HC35WE8R2



3MP/5MP/8MP IP WDR IR MFZ Ball Camera



| OPERATIONAL | |
|---------------------------------|--|
| Video Standard | NTSC/PAL |
| Scanning System | Progressive |
| Image Sensor | HC35WE3R2: 1/2.7" CMOS HC35WE5R2/HC35WE8R2: 1/2.8" CMOS |
| Sensor Size (H x V) | HC35WE3R2: 4.608 mm x 2.592 mm HC35WE5R2: 5.184 mm x 3.888 mm HC35WE8R2: 5.568 mm x 3.132 mm |
| Number Of Pixels(H x V) | HC35WE3R2: 2304 x 1296 HC35WE5R2: 2592 x 1944 HC35WE8R2: 3840 x 2160 |
| Minimum Illumination (Color/BW) | HC35WE3R2/HC35WE5R2: 0.005 Lux/F1.6 (Color,30IRE), 0 Lux/F1.6 (IR ON) HC35WE8R2: 0.007 Lux/F1.6(color,30IRE), 0 Lux/F1.6(IR ON) |
| S/N Ratio | 50 dB |
| Electronic Shutter Speed | 1/8 ~ 1/32,000 |
| IR Distance | up to 50 m |
| IR Light Control | Smart IR(Auto/Manual)/OFF |
| IR Light Number | 4 |
| Day/Night | Auto (ICR) / Color / BW |
| Backlight Compensation | WDR, BLC, HLC |
| White Balance | Auto/Tungsten/ Fluorescent/ Daylight/Shadow/Manual |
| Gain Control | 0-100% |
| Wide Dynamic Range | 120 dB |
| Noise Reduction | 2D/3D DNR |
| Lens | 2.7-13.5mm, DC-Iris, F1.6-F3.3, MFZ |
| Angle Of View | HC35WE3R2: H:81°-24°, V:44°-14° HC35WE5R2: H:87°-25°, V:63°-19° HC35WE8R2: H:98°-31°, V:51°-17° |
| Privacy Masking | Off / On (4 Areas) |
| Defog | HC35WE3R2: Not supported HC35WE5R2/HC35WE8R2: Supported |
| Local Storage | Micro SD (up to 256 GB) |
| Alarm Inputs/Outputs | HC35WE3R2: Not supported HC35WE5R2/HC35WE8R2: 1In / 1 Out |
| Pan Range | 0°-360° |
| Tilt Range | 0°-80° |
| Rotation Range | 0°-360° |

*For detailed information about frame rate and bit rate, please refer to the User Guide.

** Some development may be required in specific user cases to support some of these protocols in the field as they mature over time.

| VIDEO | | |
|-------------------------|--|--|
| Video Compression | H.265 HEVC/H.264/MJPEG, Smart Codec | |
| Resolution | HC35WE3R2 | 1st: 2304 x 1296 / 1920 x 1080 / 1280 x 720 2nd: 704 x 576(PAL) / 704 x 480(NTSC) / 640 x 480 / 352 x 288(PAL) / 352 x 240(NTSC) 3rd: 640 x 480 / 352 x 288(PAL) / 352 x 240(NTSC) / 320 x 240 |
| | HC35WE5R2 | 1st: 2592 x 1944 / 2592 x 1520 / 1920 x 1080 / 1280 x 720 2nd: 704 x 576(PAL) / 704 x 480(NTSC) / 640 x 480/352 x 288(PAL) / 352 x 240(NTSC) 3rd: 1920 x 1080 (MAX 12 fps) / 640 x 480 / 352 x 288(PAL) / 352 x 240(NTSC) / 320 x 240 |
| | HC35WE8R2 | 1st: 3840 x 2160 / 2592 x 1944 / 2592 x 1520 / 2560 x 1440 / 2304 x 1296 / 1920x1080 / 1280 x 720 2nd: 704 x 576(PAL) / 704 x 480(NTSC) / 640 x 480 / 352 x 288(PAL) / 352 x 240(NTSC) 3rd: 640 x 480 / 352 x 288(PAL) / 352 x 240(NTSC) / 320 x 240 |
| Number of Video Streams | 3 (2 for encryption) | |
| Frame Rate* | MAX 30fps | |
| Bit Rate* | HC35WE3R2: 100K ~ 6Mbps HC35WE5R2: 100K-12Mbps HC35WE8R2: 100K-16Mbps | |
| AUDIO | | |
| Audio Compression | HC35WE3R2: Not supported HC35WE5R2/HC35WE8R2: G.711A/G.711U | |
| Audio Stream | HC35WE3R2: Not supported HC35WE5R2/HC35WE8R2: 2-Way, Full duplex | |
| Audio Interface | HC35WE3R2: Not supported HC35WE5R2/HC35WE8R2: Line In/Out | |
| NETWORK | | |
| Ethernet | 10 Base-T/100 Base-TX Ethernet (RJ-45) | |
| Supported Web Browsers | Chrome/Edge | |
| Supported OS | Microsoft Windows 10 | |
| Protocols** | IPv4, IPv6, TCP / IP, HTTP, HTTPS, RTSP / RTP / RTCP, IGMP / Multicast, SMTP, DHCP, NTP, DNS, QoS, SNMP, 802.1X, UDP, ICMP, ARP, TLS | |
| Interoperability | ONVIF Profile G/S/T | |
| Maximum Users Access | 10 Users | |
| Security | User account and password protection, HTTPS, IP Filter, Digest authentication, TLS1.2 only, Stream encryption, AES128 / 256, SSH / Telnet closed, PCI-DSS compliance | |
| Languages Supported | Arabic, Czech, Dutch, English, French, German, Italian, Japanese, Korean, Polish, Portuguese (Brazil), Russian, Spanish, Turkish | |

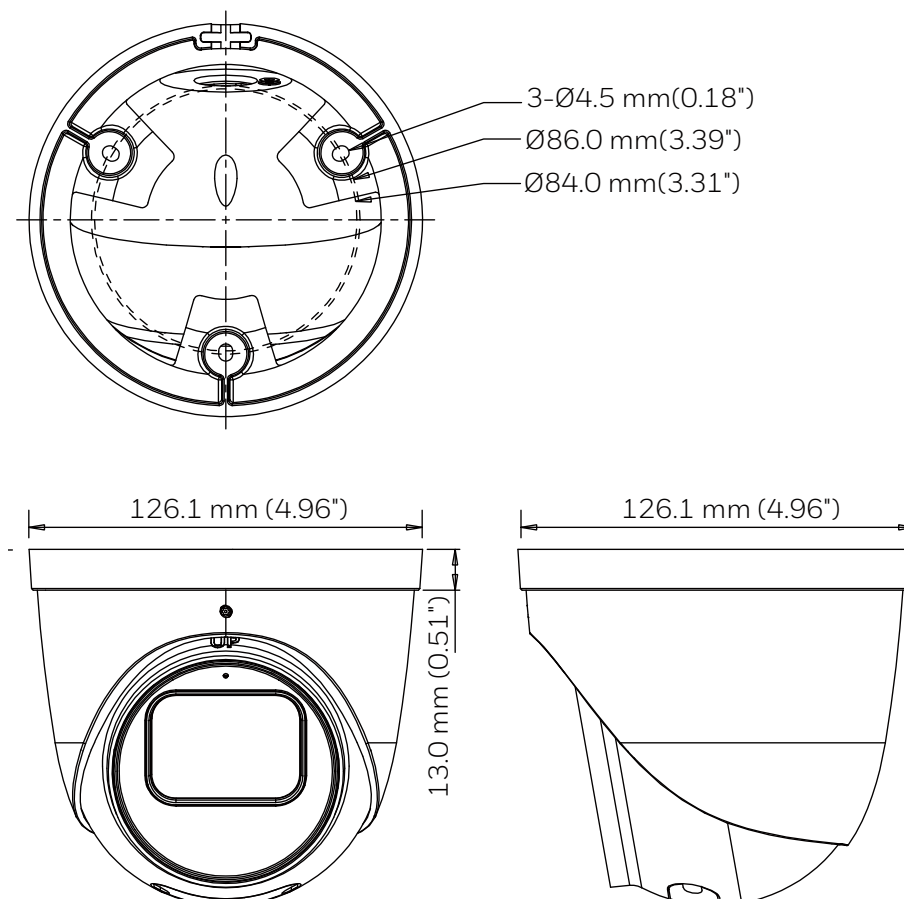
Honeywell

35 SERIES 3MP/5MP/8MP IP WDR IR MFZ BALL CAMERA

| EVENTS / ANALYTICS | |
|--------------------------|--|
| Built-in Video Analytics | HC35WE3R2: Motion Detection, Tampering HC35WE5R2/HC35WE8R2: People Counter, Multi Loitering, Intrusion, Tampering, Smart Motion Detection (SMD), Motion Detection |
| Event Type | HC35WE3R2: Video motion detection, Recording notification HC35WE5R2/HC35WE8R2: Video motion detection, Alarm input, Recording notification, Tampering |
| Event Linkage | HC35WE3R2: Event notification using Email and MicroSD card HC35WE5R2/HC35WE8R2: Event notification using digital output, Email and MicroSD card |
| Region Of Interest | 8 |
| ELECTRICAL | |
| Power Supply | DC12V, PoE (IEEE 802.3af) (Class 0) |
| Power Consumption (Max) | HC35WE3R2: Max 5.5W HC35WE5R2: Max 6.11 W HC35WE8R2: Max 6.7W |
| MECHANICAL | |
| Dimensions | Ø126.1 mm x 114.0 mm (Ø4.96" x 4.49") |
| Product Weight | 0.98 kg (2.16 lb) |
| Package Weight | 1.1 kg (2.43 lb) |
| Body Material | Die-cast aluminium housing |
| Color | Camera Body: RAL 9003 (Signal White) Front/Lens Facings: Pantone Black |

| ENVIRONMENTAL | |
|-----------------------|--|
| Operating Temperature | Starting Temperature: -40°C ~ 60°C (-40°F ~ 140°F) Working Temperature: -40°C ~ 60°C (-40°F ~ 140°F) (IR off) |
| Relative Humidity | Less than 90 %, non-condensing |
| Ingress Protection | IP66/IP67 |
| REGULATORY | |
| Emissions | FCC PART 15, CE (EN 55032), Complies with RCM and UKCA |
| Immunity | CE(EN 50130-4), Complies with RCM and UKCA |
| Safety | UL LISTED TO UL/CSA 62368-1, CE(EN 62368-1), Complies with RCM and UKCA |
| RoHS | CE(EN 63000), UAE(Cabinet Decree No.10 of 2017) |
| Country of Origin | Vietnam |

DIMENSIONS



35 SERIES 3MP/5MP/8MP IP WDR IR MFZ BALL CAMERA

RECOMMENDED ACCESSORIES AND ORDERING

| SYSTEM INTEGRATION* | | OPTIONAL MOUNTS AND ACCESSORIES | |
|------------------------|---|---------------------------------|---------------------------------------|
| Pro-Watch NVR | Up to 256 IP channels RAID5 / 6 Enterprise NVR | HA35PMC02 | 35S MFZ Camera Cap, 1.5NPT Male |
| MAXPRO NVR PE | Up to 128 IP channels RAID5 / 6 Enterprise NVR | HA35CLM01 | 35S Ceiling Mount Base with Adapter |
| MAXPRO NVR SE | Up to 64 IP channels System NVR | HA35CLM02 | 35S Ceiling Mount Extension ,252mm |
| MAXPRO NVR XE | Up to 16 IP channels System NVR | HA60JCBH1 | 60S Junction Box |
| MAXPRO NVR SOFTWARE | Up to 128 IP channels Recording Software | HA60WLMB1 | 60S Wall Mount Bracket, 1.5NPT female |
| ADPRO NVR FASTTRACE 2E | Up to 32 IP channels with up to 32 VA channels NVRs | HA60PLMZ | 60S Pole Mount Adapter |
| ADPRO NVR iFT-E | Up to 32 IP channels with up to 32 VA channels NVRs | HA60CNMZ | 60S Corner Mount Adapter |
| ADPRO NVR iFT | Up to 32 IP channels or 16 IP channels with up to 16 VA channels NVRs | | |
| ADPRO NVR iFT GATEWAY | 4 IP channels + 4 VA channels | | |
| Honeywell DVM | Support with Honeywell DVM R710.1 (and later maintenance releases) | | |
| 30 Series NVR | Integration with 30 Series NVR | | |
| 35 Series NVR** | Integration with 35 Series NVR | | |

*Refer to the NVR integration matrix for more information.

**35 Series NVR will be released in June 2022.

| ORDERING | |
|-----------|---|
| HC35WE3R2 | 3 MP IR MFZ Ball Camera, WDR 120dB, 2.7-13.5 mm, PoE, DC12V |
| HC35WE5R2 | 5 MP IR MFZ Ball Camera, WDR 120dB, 2.7-13.5 mm, PoE, DC12V, Audio&Alarm In/Out |
| HC35WE8R2 | 8 MP IR MFZ Ball Camera, WDR 120dB, 2.7-13.5 mm, PoE, DC12V, Audio&Alarm In/Out |

For More Information

www.security.honeywell.com/uk
buildings.honeywell.com/security

Honeywell Commercial Security

Building 5 Carlton Park
 King Edward Avenue
 Narborough, Leicester
 LE19 0AL
 Tel: +44 (0)1163 500714
www.honeywell.com



ONVIF and the ONVIF logo are trademarks of ONVIF Inc.
 HEVC Advance logo is a trademark of HEVC Advance
 Honeywell reserves the right, without notification, to
 make changes in product design or specifications.

HSV-HC35WEr2-01-UK(0622)DS-Y
 © 2022 Honeywell International Inc.

Honeywell