

# 35 SERIES CAMERAS MOUNTS AND ACCESSORIES

Honeywell's 35 Series mounts and accessories provide a wide range of installation options for the Honeywell 35 Series IP cameras, including junction boxes and a variety of brackets for in-ceiling, wall, pole, and corner mounting.

All of the mounts and accessories offer excellent value at an attractive price with simple, clean lines, rugged construction and options suitable for indoor or outdoor mounting use.

The mounts provide easy cable routing with no exposed wiring, and the cameras can be installed, adjusted, and tested without repositioning the housing.

The junction box, pole mount adapter, wall mount bracket, and corner mount adapter are constructed of die-casting aluminum. The in-ceiling mount bracket is made of SECC steel. The pole mount bracket, corner mount bracket is made of SPCC steel.



HA35PMC02  
MFZ Camera Cap



HA35PMC03  
Fixed Camera  
Cap



HA35CLM01  
Ceiling Mount Base with Adapter



HA35CLM02  
Ceiling Mount Extension



HA60JCBH1  
Junction Box



HA354SC01  
4S Box Cover



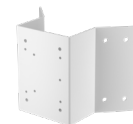
HA60PLMZ  
Pole Mount Adapter



HA60WLMB1  
Wall Mount Bracket



HA60WLMZ  
Wall Mount Bracket



HA60CNMZ  
Corner Mount Adapter

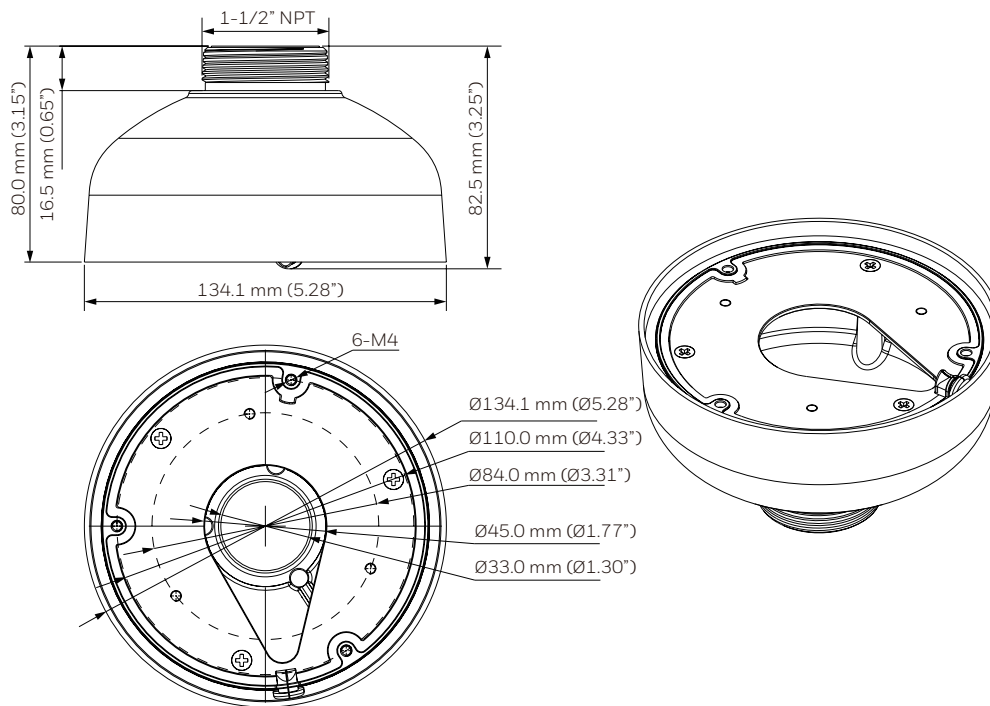
# MOUNTS AND ACCESSORIES

## FEATURES AND BENEFITS

DESCRIPTION	LOW PROFILE, CONTEMPORARY DESIGN	ECONOMICALLY PRICED	EASY CABLE FEED-THROUGH	ALUMINUM	STEEL	OFF-WHITE POWDER FINISH	INDOOR/ OUTDOOR
HA60JCBH1	✓	✓	✓	✓		✓	✓
HA60PLMZ	✓	✓	✓		✓	✓	✓
HA60CNMZ	✓	✓	✓		✓	✓	✓
HA60WLMZ	✓	✓		✓		✓	✓
HA60WLMB1	✓	✓		✓		✓	✓
HA35PMC02	✓	✓	✓	✓		✓	✓
HA35PMC03	✓	✓	✓	✓		✓	✓
HA35CLM01	✓	✓	✓	✓		✓	
HA35CLM02	✓	✓	✓	✓		✓	
HA354SC01	✓	✓	✓	✓		✓	

## DIMENSIONS

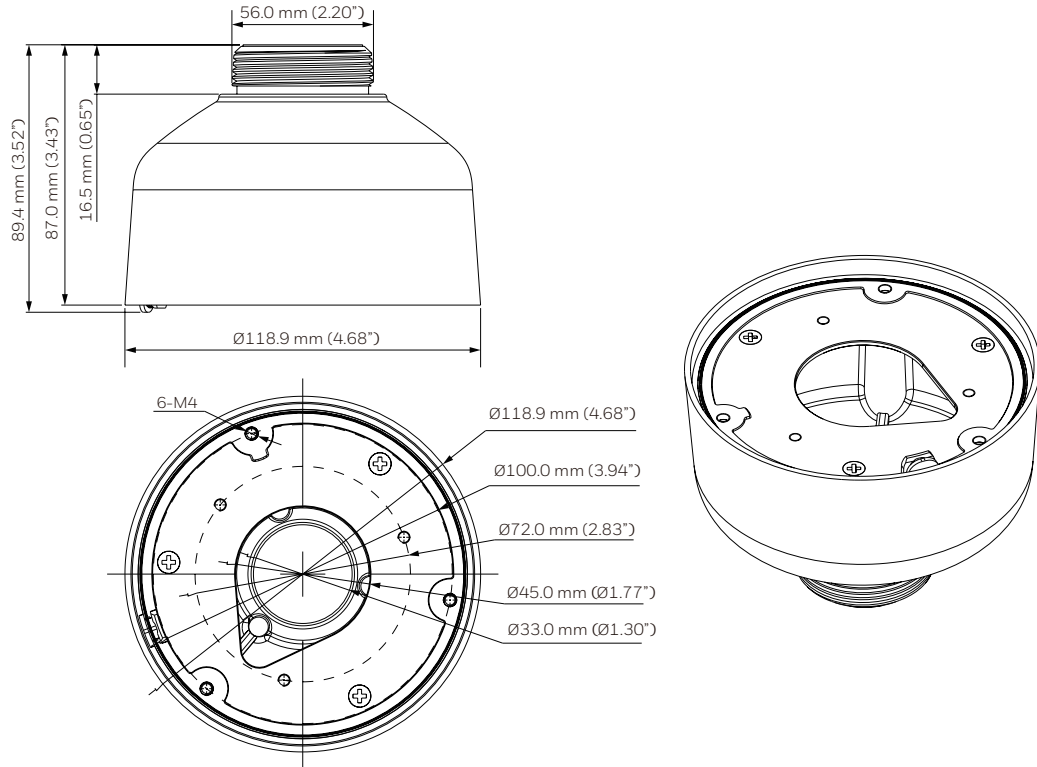
HA35PMC02



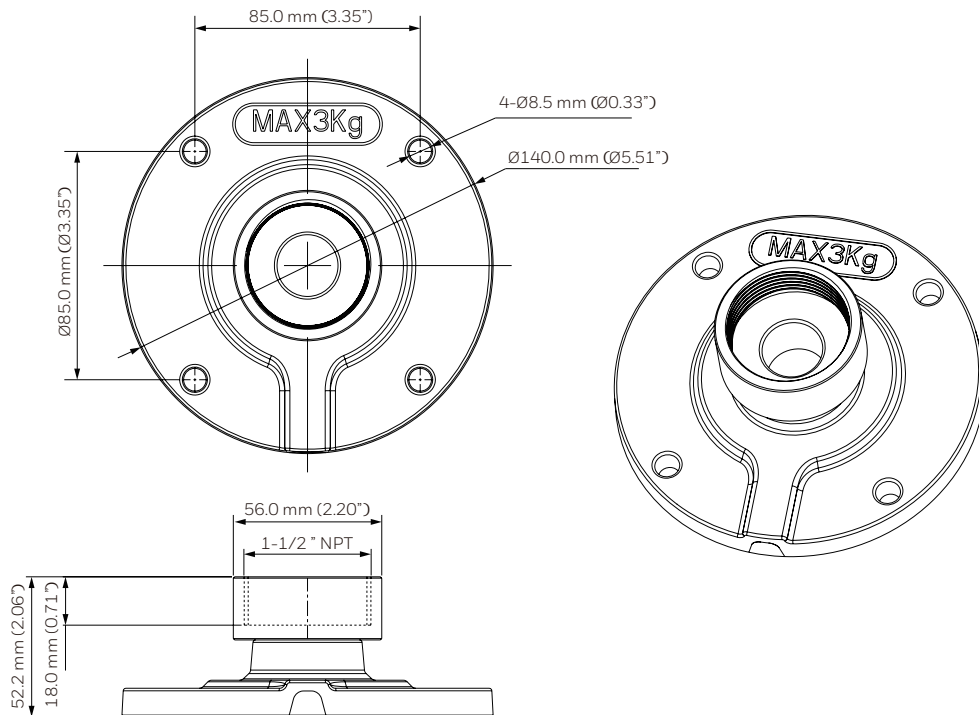
# MOUNTS AND ACCESSORIES

## DIMENSIONS

HA35PMC03



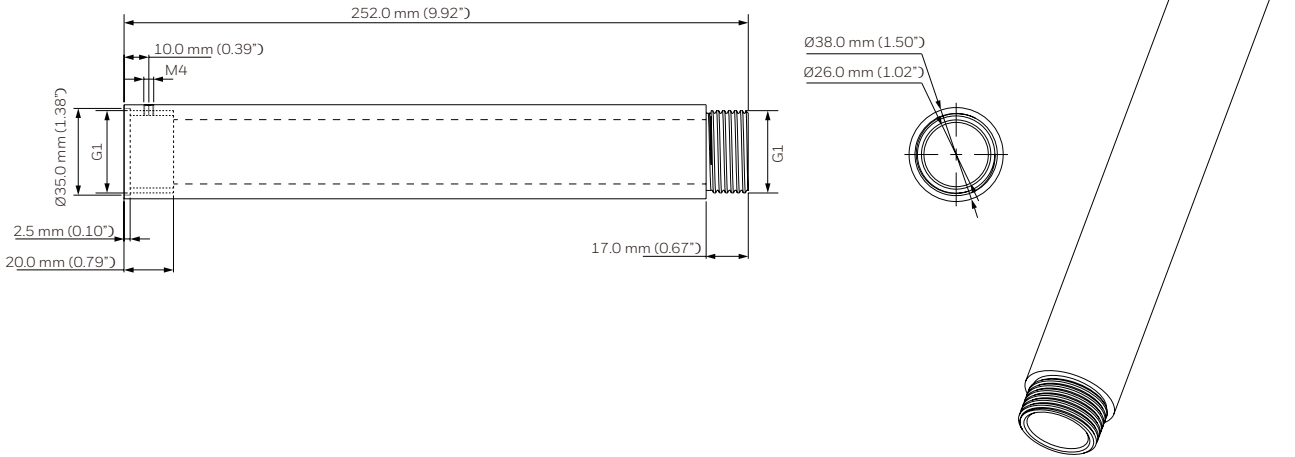
HA35CLM01



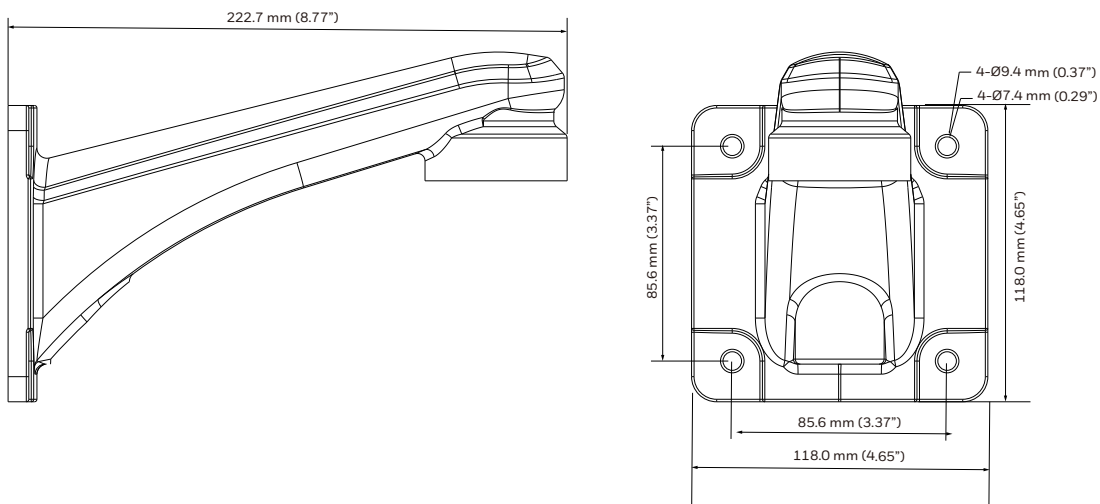
# MOUNTS AND ACCESSORIES

## DIMENSIONS

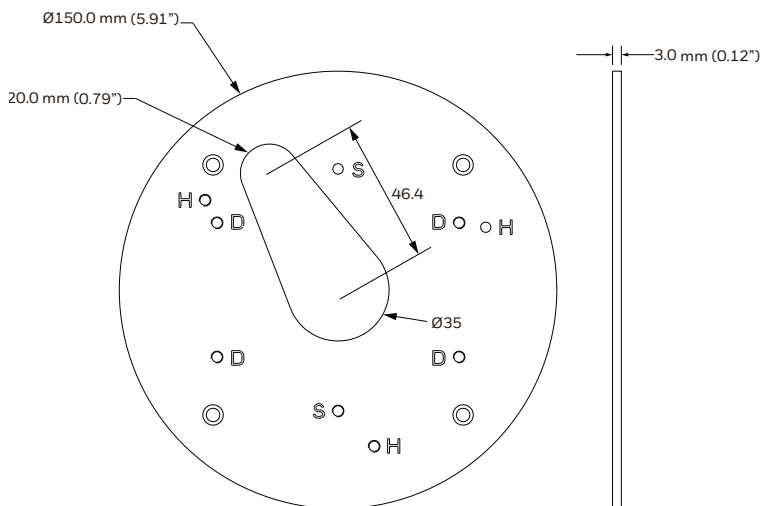
HA35CLM02



HA60WLMB1

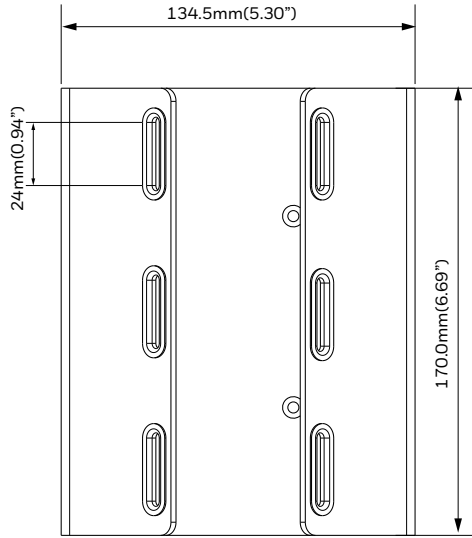
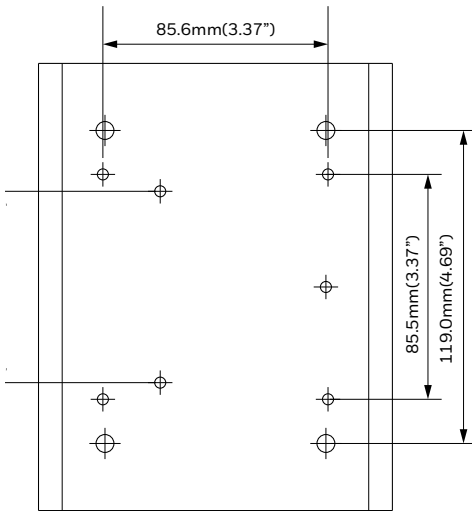
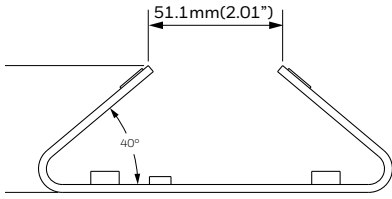


HA354SC01

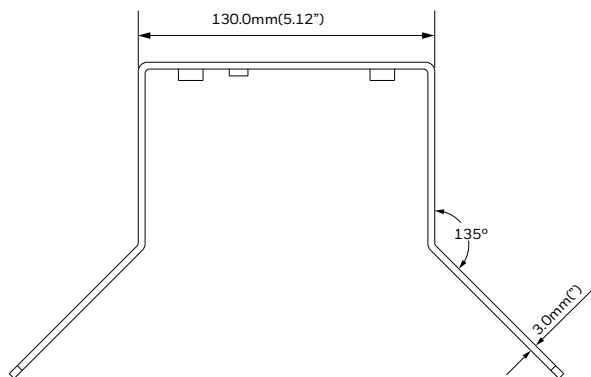
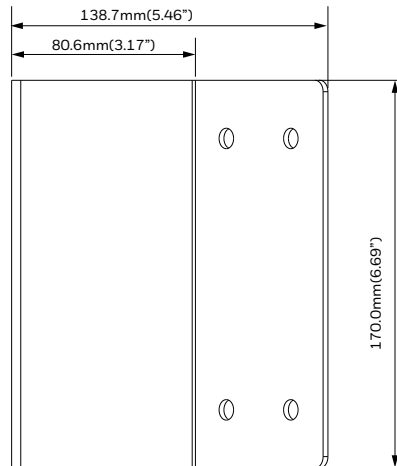
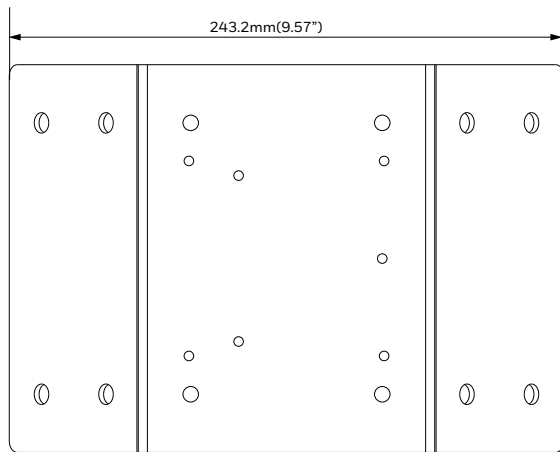


# MOUNTS AND ACCESSORIES

HA60PLMZ

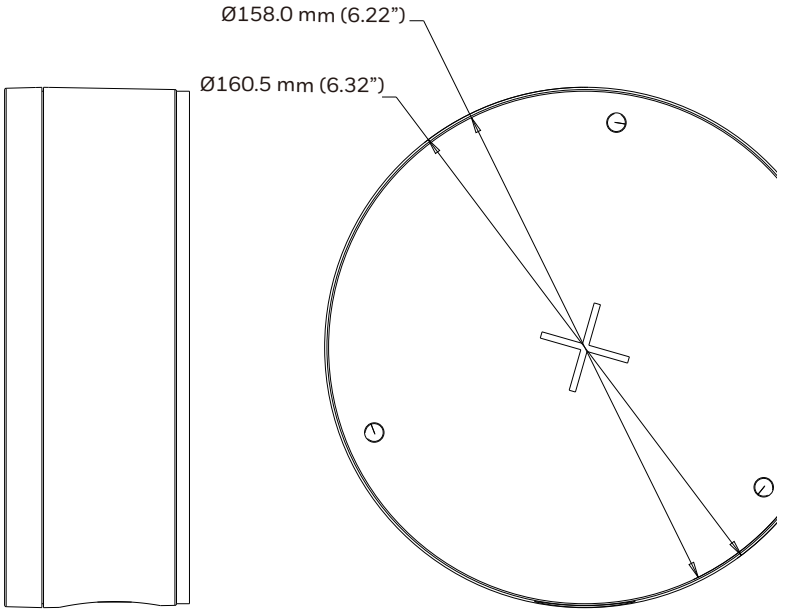
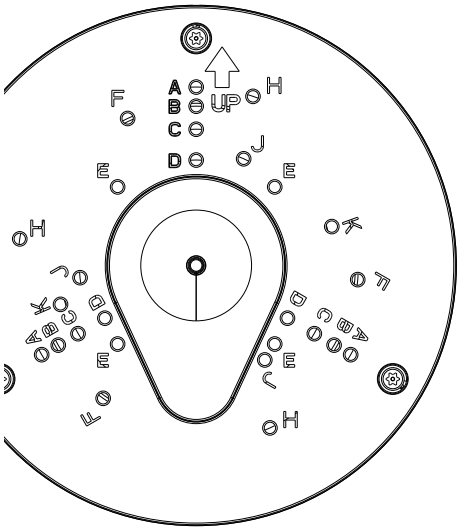
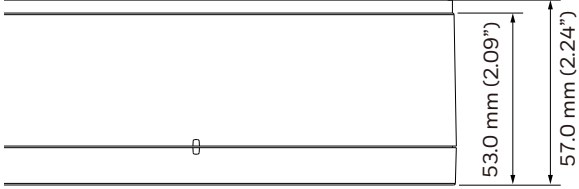


HA60CNMZ

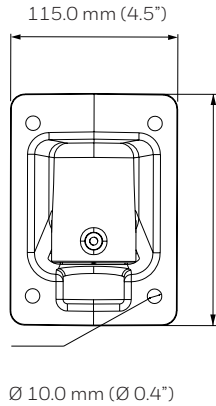
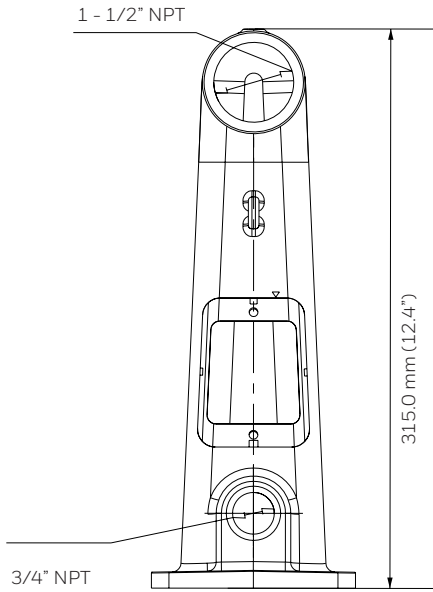


# MOUNTS AND ACCESSORIES

HA60JCBH1



HA60WLMZ



# MOUNTS AND ACCESSORIES

## COMPATIBLE 35 SERIES CAMERAS

MODEL	HC35W43R3 HC35W45R3 HC35W48R3	HC35W43R2 HC35W45R2 HC35W48R2	HC35WB3R3 HC35WB5R3 HC35WB8R3	HC35WB3R2 HC35WB5R2 HC35WB8R2	HC35WE3R3 HC35WE5R3 HC35WE8R3	HC35WE3R2 HC35WE5R2 HC35WE8R2	HC35WZ2R25 HC35WZ5R30	HC35W25R3
HA60JCBH1	✓	✓	✓	✓	✓	✓		✓
HA60PLMZ	✓ +HA60JCBH1 or +HA35PMC03 HA60WLMB1	✓ +HA60JCBH1 or +HA35PMC02 HA60WLMB1	✓ +HA60JCBH1	✓ +HA60JCBH1	✓ +HA60JCBH1 or +HA35PMC03 HA60WLMB1	✓ +HA60JCBH1 or +HA35PMC02 HA60WLMB1	✓ +HA60WLMZ	✓ +HA60JCBH1
HA60CNMZ	✓ +HA60JCBH1 or +HA35PMC03 HA60WLMB1	✓ +HA60JCBH1 or +HA35PMC02 HA60WLMB1	✓ +HA60JCBH1	✓ +HA60JCBH1	✓ +HA60JCBH1 or +HA35PMC03 HA60WLMB1	✓ +HA60JCBH1 or +HA35PMC02 HA60WLMB1	✓ +HA60WLMZ	✓ +HA60JCBH1
HA60WLMB1	✓ +HA35PMC03	✓ +HA35PMC02			✓ +HA35PMC03	✓ +HA35PMC02		
HA60WLMZ							✓	
HA35PMC02		✓				✓		
HA35PMC03	✓				✓			
HA35CLM01	✓ +HA35PMC03	✓ +HA35PMC02			✓ +HA35PMC03	✓ +HA35PMC02		
HA35CLM02	✓ +HA35CLM01 +HA35PMC03	✓ +HA35CLM01 +HA35PMC02			✓ +HA35CLM01	✓ +HA35CLM01		
HA354SC01		✓						

# MOUNTS AND ACCESSORIES

## SPECIFICATIONS

MODEL	UNIT WEIGHT	CONSTRUCTION	DIMENSIONS
HA60JCBH1	1.3 kg (2.86 lb)	ADC12	Ø160.5mm x 53.0 mm (Ø6.31" x 2.09")
HA60PLMZ	1.0 kg (2.20 lb)	Steel	134.5mm x 48.2mm x 170 mm (5.30" x 1.90" x 6.69")
HA60CNMZ	1.8 kg (3.97 lb)	Steel	243.2mm x 138.7mm x 170mm (9.57" x 5.46" x 6.69")
HA60WLMZ	1.6 kg (3.42 lb)	Aluminum	315.0mm x 115.0mm x 160.0mm (Ø12.40" x 9.08" x 6.29")
HA60WLMB1	0.4 kg (0.90 lb)	Aluminum	222.7mm x 118.0 mm x 118.0 mm ( 8.77" x 4.65" x 4.65" )
HA35PMC02	0.5 kg (1.10 lb)	Aluminum	Ø134.1 mm x 82.5 mm (Ø5.28" x 3.25")
HA35PMC03	0.4 kg (0.90 lb)	Aluminum	Ø118.9 mm x 89.4 mm (Ø4.68" x 3.52")
HA35CLM01	0.3 kg (0.70 lb)	Aluminum	Ø140.0 mm x 52.2 mm (Ø5.51" x 2.06")
HA35CLM02	0.3 kg (0.70 lb)	Aluminum	Ø38.0 mm x 252.0 mm (Ø1.50" x 9.92")
HA354SC01	0.1 kg (0.20 lb)	Aluminum	Ø150.0 mm x 3.0 mm (Ø5.91" x 0.12")

# ORDERING

MODEL	DESCRIPTION	MODEL	DESCRIPTION
HA60JCBH1	60S dome junction box	HA35PMC02	35S MFZ camera cap, 1.5NPT male
HA60PLMZ	60S PTZ pole mount bracket, white	HA35PMC03	35S fixed camera cap, 1.5NPT male
HA60CNMZ	60S PTZ corner mount bracket, white	HA35CLM01	35S ceiling mount base with adapter
HA60WLMZ	60S PTZ wall mount bracket, 1.5 NPT, white	HA35CLM02	35S ceiling mount extension, 252mm
HA60WLMB1	60S wall mount bracket, 1.5NPT female	HA354SC01	35S 4S box cover

## For more information

[www.security.honeywell.com/uk](http://www.security.honeywell.com/uk)

[www.security.honeywell.com/me](http://www.security.honeywell.com/me)

## Honeywell Commercial Security

Emaar Business Park, Sheikh Zayed Road  
Building No. 2, 2nd floor, 201  
Post Office Box 232362  
Dubai, United Arab Emirates  
Tel: +971 4 450 5800

140 Waterside Road  
Hamilton Industrial Park  
Leicester LE5 1TN  
United Kingdom

Tel: +44 (0) 1928 378005

[www.honeywell.com](http://www.honeywell.com)

Honeywell reserves the right, without notification, to make changes in product design or specifications.

HSV-35\_MNTS\_ACC-01-UK(0522)DS-Y  
© 2022 Honeywell International Inc.

**Honeywell**