

DS-D5032F3-1P0S 32 inch FHD Monitor



- 178° ultra-wide view screen.
- 3D noise reduction.
- Low blue light design for eye care.
- Dual interface of HDMI and VGA.
- Support VESA wall mount.

▪ Specification

	Model	DS-D5032F3-1P0S
Display	Screen Size	32 inch
	Active Display Area	698.4 (H) mm × 392.85 (V) mm
	Resolution	1920 × 1080
	Backlight	D-LED
	Pixel Pitch	0.12125 (H) mm × 0.36375 (V) mm
	Brightness	300 cd/m ²
	Viewing Angle	178° (H)/178° (V)
	Color Depth	8 bit
	Contrast Ratio	4000:1
	Response Time	8 ms
	Refresh Rate	Typ. 60 Hz, Max. 75 Hz
	Haze	Haze 2%
	Reliability	7 × 12 H
	Color Gamut	72% NTSC
Interface	Video & Audio Input	VGA × 1, HDMI 1.4 × 1, Audio Output × 1
	Video & Audio Output	Speaker(8 Ω 10 W) × 2
Power	Power Supply	100 to 240 VAC, 50/60 Hz
	Power Consumption	≤ 48 W
	Standby Consumption	≤ 0.5 W
Working Environment	Working Temperature	0 °C to 40 °C (32 °F to 104 °F)
	Working Humidity	20% RH to 90% RH (Non-Condensing)
	Storage Temperature	-20 °C to 60 °C (-4 °F to 140 °F)
	Storage Humidity	10% RH to 90% RH (Non-Condensing)
General	Casing Material	Plastic
	VESA	100 mm × 100 mm (4 - M6 × 10 mm)
	Bezel Width	16.7 mm (top/left/right), 20.5 mm (bottom)
	Product Dimensions (W × H × D)	With base: 735.08 (W) mm × 489.16 (H) mm × 207.95 (D) mm (28.94" × 19.26" × 8.19") Without base: 735.08 (W) mm × 433.46 (H) mm × 80.19 (D) mm (28.94" × 17.07" × 3.16")
	Package Dimensions (W × H × D)	808 (W) mm × 510 (H) mm × 140 (D) mm (31.81" × 20.08" × 5.51")
	Net Weight	4.55 ± 0.5 kg (10.03 ± 1.10 lb.)
	Gross Weight	6.1 kg ± 0.5 kg (13.45 ± 1.10 lb.)
	Packing List	Monitor × 1, Base component × 1, HDMI cable (1.5 m) × 1, User manual × 1, Multilingual manual × 1, remote control × 1, Base screw × 6, Wall-mount screw × 4
	Remarks	The base is included by default. The product appearance and parameters in this specification may vary from your actual device. Please consult our local sales staff for further information

Physical Interface

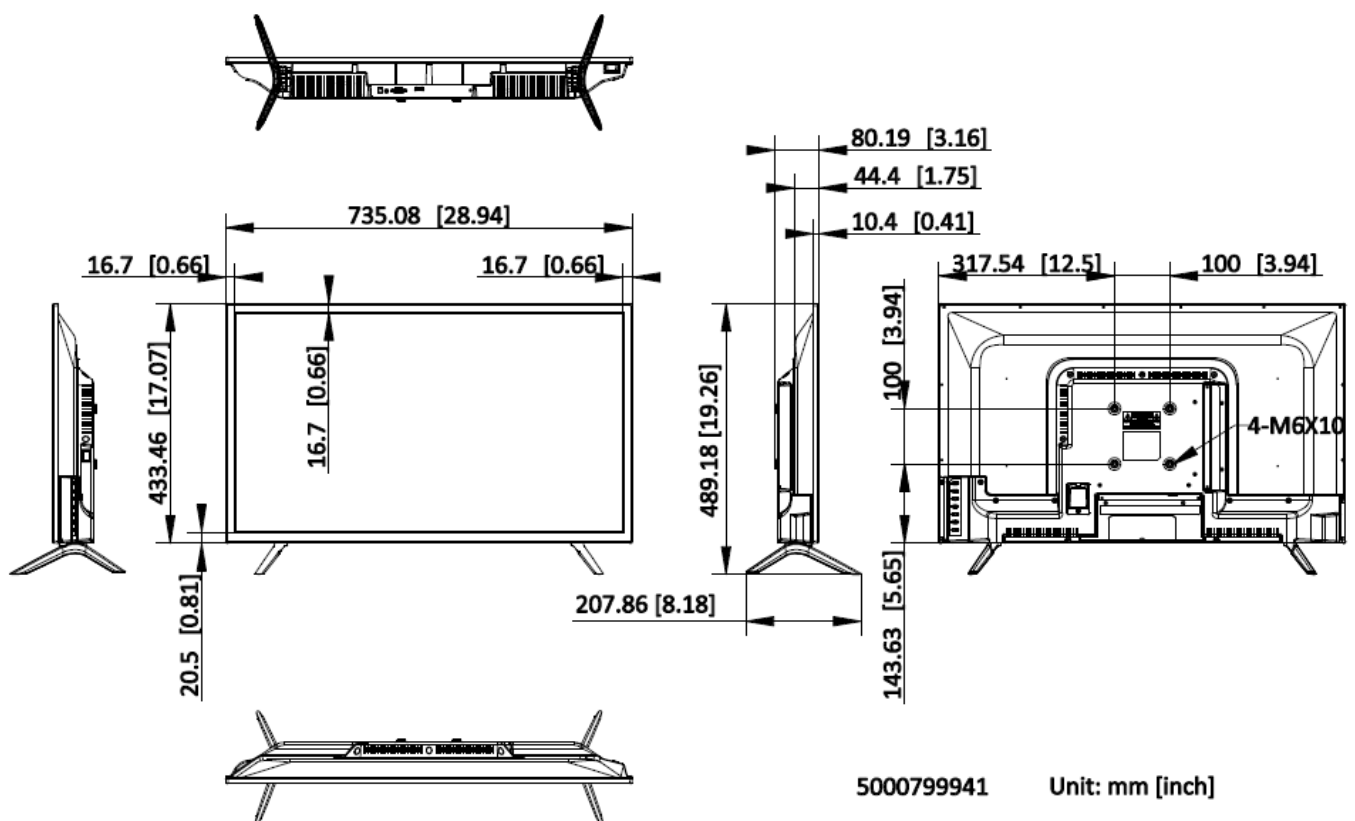
Interface	Description	Interface	Description
POWER	AC power input interfac	HDMI	HDMI 1.4 digital signal input interface
VGA	VGA analog signal input	AUDIO OUT	3.5 mm Audio output interface



Available Model

DS-D5032F3-1POS

Dimension



Headquarters

No.555 Qianmo Road, Binjiang District,
Hangzhou 310051, China
T +86-571-8807-5998
www.hikvision.com



Follow us on social media to get the latest product and solution information.

