

DS-D5022FC-C 22-inch Monitor



- Ultra-thin device body with ultra-thin border for 3 sides.
- 2 channels of 8 bit/10 bit LVDS HD (1920 × 1080) display.
- 178° ultra-wide view screen.
- 3D noise reduction.
- Built-in speaker for audio input.
- Support 1 channel BNC surveillance video input with professional surveillance standard BNC interface.
- Multimedia playing of text, image, audio, video, etc.
- Support VESA wall mount.

▪ Specification

	Model	DS-D5022FC-C
Display	Screen Size	21.5 inch
	Active Display Area	478.656 (H) mm × 260.280 (V) mm
	Resolution	1920 × 1080
	Backlight	E-LED
	Pixel Pitch	0.241 (H) mm × 0.241 (V) mm
	Brightness	250 cd/m ²
	Viewing Angle	178° (H) / 178° (V)
	Color Depth	8 bit, 16.7M
	Contrast Ratio	3000 : 1
	Response Time	6.5 ms
	Refresh Rate	60 Hz
	Haze	Haze 25%, 3H
	Reliability	7 × 18H
	Color Gamut	72% NTSC
Interface	Video & Audio Input	HDMI 1.4 × 1, VGA × 1, CVBS × 1, AUDIO IN × 1
	Video & Audio Output	Speaker (2W 8Ω) × 2
Power	Power Supply	100 to 240 VAC, 50/60 Hz
	Power Consumption	≤ 22 W
	Standby Consumption	≤ 0.5 W
Working Environment	Working Temperature	0 °C to 40 °C (32 °F to 104 °F)
	Working Humidity	20% to 90% RH (non-condensing)
	Storage Temperature	-20 °C to 60 °C (-4 °F to 140 °F)
	Storage Humidity	5% to 90% RH (non-condensing)
General	Casing Material	Plastic
	VESA	75 mm × 75 mm, 4-M6 × 6 screw holes
	Bezel Width	1.88 mm (top/left/right), 19 mm (bottom)
	Product Dimensions (W × H × D)	With base: 492.356 (W) mm × 390.11 (H) mm × 200.20 (D) mm (19.38" × 15.36" × 7.88") Without base: 492.356 (W) mm × 289.680 (H) mm × 43.88 (D) mm (19.38" × 11.40" × 1.73")
	Package Dimensions (W × H × D)	647 (W) mm × 111 (H) mm × 406 (D) mm (25.49" × 4.37" × 15.99")
	Net Weight	2.6 ± 0.5 kg (5.7 ± 1.1 lb.)
	Gross Weight	3.8 ± 0.5 kg (8.4 ± 1.1 lb.)
	Packing List	Monitor × 1, AC power cable × 1, base bracket × 1, user manual × 1, quick start guide × 1, HDMI cable × 1
	Remarks	*The base is included by default. *The product appearance and parameters in this specification may vary

from your actual device. Please consult our local sales staff for further information.

▪ Available Model

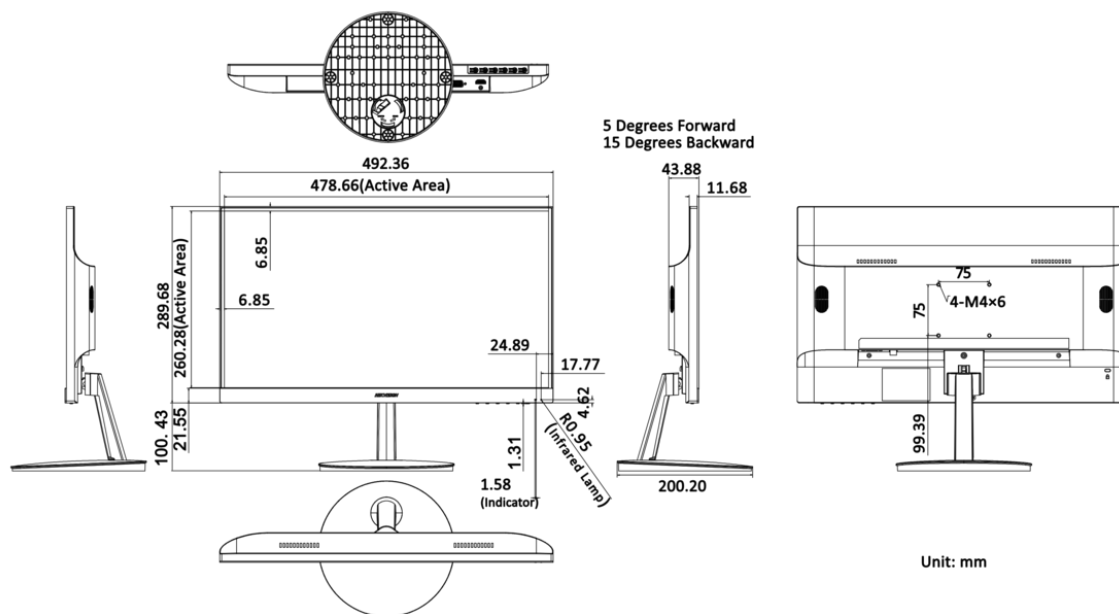
DS-D5022FC-C

▪ Physical Interface



Interface	Description	Interface	Description
VGA	VGA analog signal input	BNC	CVBS signal input
HDMI	HDMI 1.4 digital signal input	USB	USB 2.0
AUDIO IN	3.5 mm audio input	AC 100–240V~	100 to 240 VAC, 50/60 Hz power supply

▪ Dimension



- **Accessory**
- **Optional**

DS-DM1940W
Wall-mounted
Bracket



Headquarters

No.555 Qianmo Road, Binjiang District,
Hangzhou 310051, China
T +86-571-8807-5998
www.hikvision.com



Follow us on social media to get the latest product and solution information.

