

# EKC-5

Energy saving electrical  
key card switch



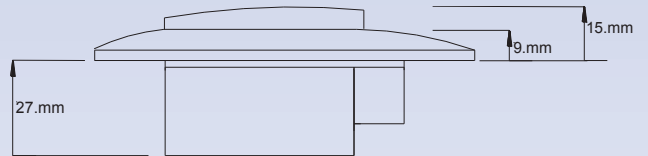
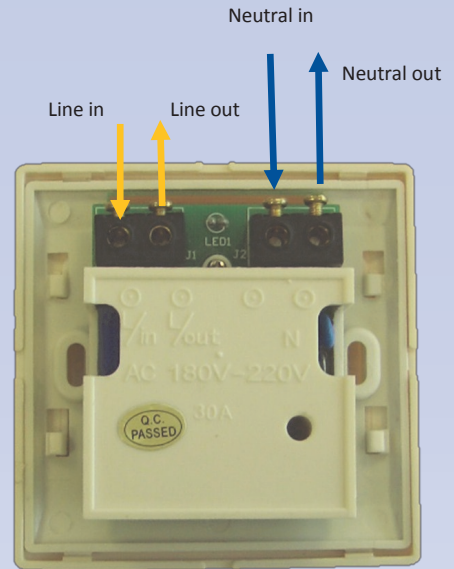
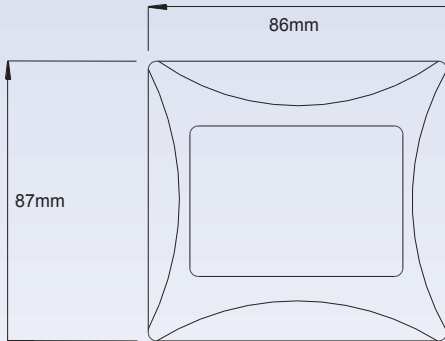
The EKC-5 is a card operated electrical switch, allowing on / off control using a proximity card.

The unit is easy to use, by inserting an AX proximity card into the switch turns power on, removing the card will turn the power off after a 10 second delay.

Ideal for use in hotels, offices, and factories for controlling lighting and machinery etc.

**Features / Technical Data**

- Electronics powered from mains
- LED indicator
- works with AX, HID and other compatible 125Khz cards
- maximum load 30A 230 volt
- compatible with standard single gang back box for easy installation
- dimensions: 86 x 86.7 x 42mm
- back box depth: 27mm
- weight: 100g



**Part Numbers:**

|  |               |
|--|---------------|
| EKC-5 125khz Energy Saving Switch        | 999-007       |
| EKC-5 125khz 110voltEnergy Saving Switch | 999-007(110v) |
| AX ISO 125KHz Proximity Card             | 205-220       |
| Clamshell 125Khz Card                    | 205-226       |
| EKC-5 Mifare Energy Saving Switch        | 999-008       |

**Warranty Period**

The equipment is guaranteed against defects in materials and workmanship for 12 months from date of shipment (see warranty policy for details).



27-28 Shrivenham Hundred Business Park, Watchfield, Swindon,  
 Wiltshire SN6 8TZ United Kingdom  
 Tel: +44 (0)1793 784002  
 Fax: +44 (0)1793 784005  
 Email: info@axxessid.com  
 Website: www.axxessid.com

Distributor: